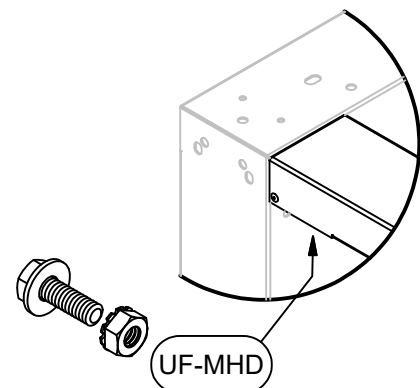
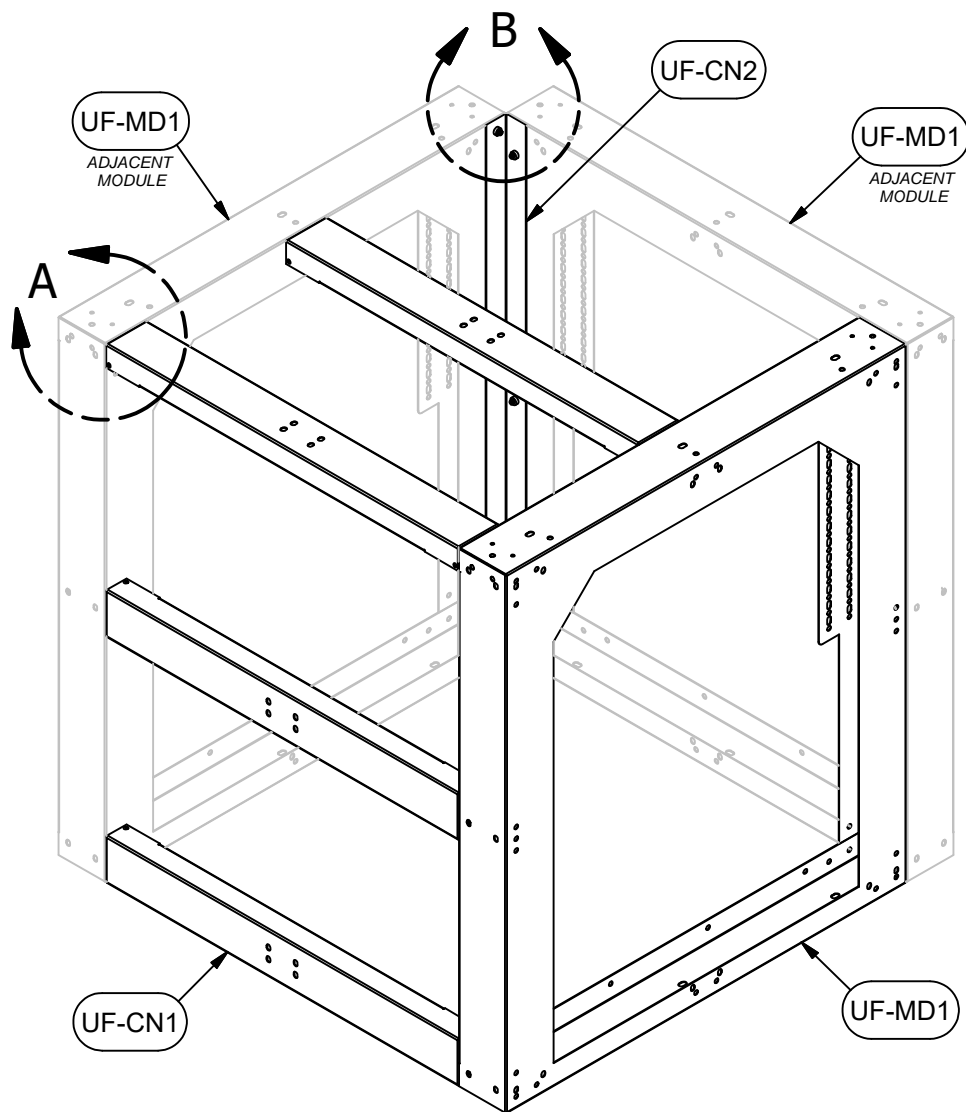
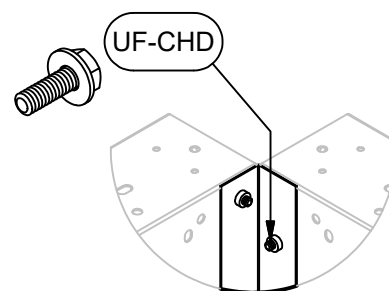


# UF-C90: 90 DEG CORNER KIT

PARTS LIST		
PT#	DESCRIPTION	QTY
UF-MD1	END PANEL	2
UF-CN1	26" HORIZONTAL CHANNEL	4
UF-CN2	CORNER L BRACE	1
UF-CNH	HARDWARE PACK	1



DETAIL A  
HORIZONTAL CHANNELS



DETAIL B  
CORNER L BRACE

## ASSEMBLY INSTRUCTIONS

1. BOLT ADJACENT MODULES TOGETHER AT CORNER USING L BRACE (UF-CN2) AND 1/4-20 X 3/4" BOLTS AND WASHERS PROVIDED (DETAIL B)
2. BOLT HORIZONTAL CHANNELS (UF-CN1) TO END PANELS (UF-MD1) USING 1/4-20 X 3/4" BOLTS, LOCKNUTS, AND WASHERS PROVIDED (DETAIL A)