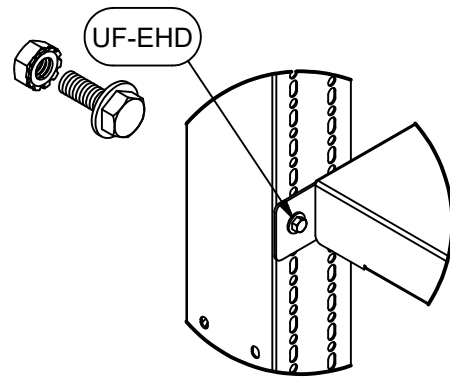
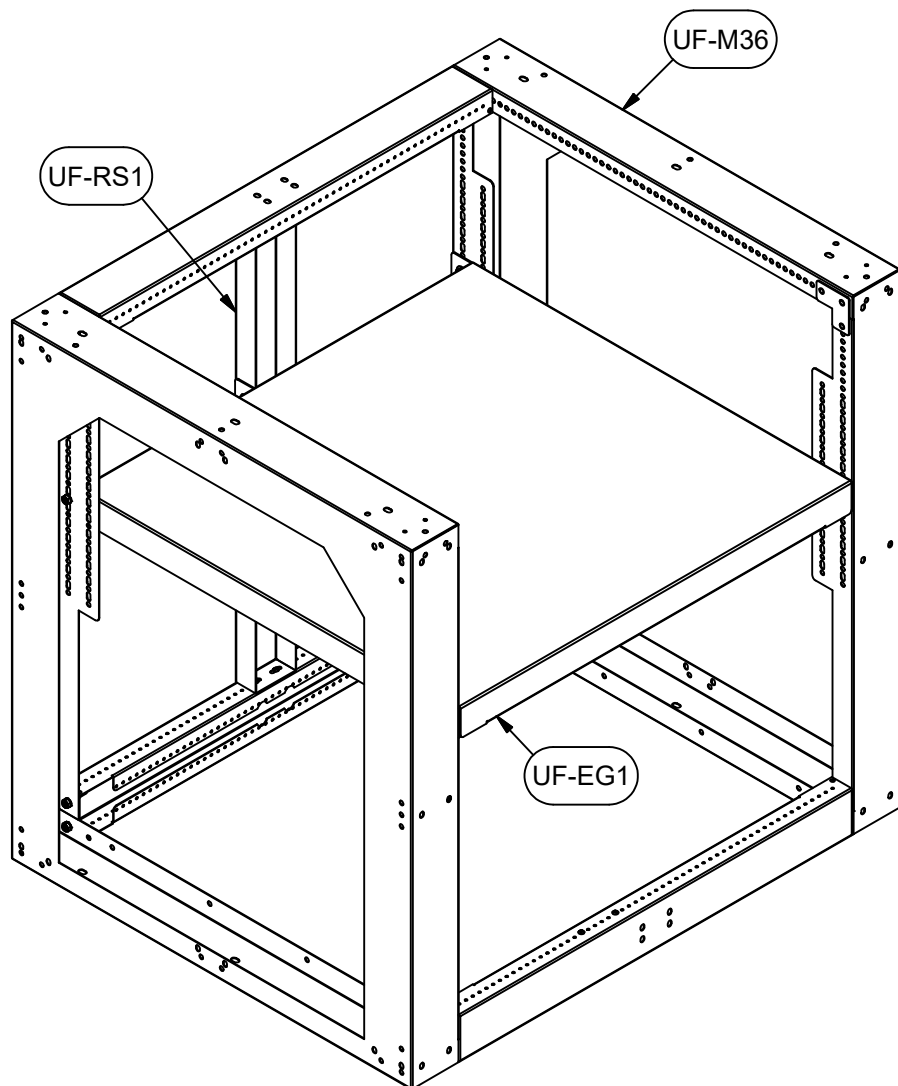
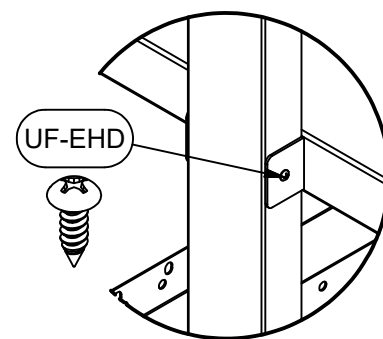


UF-EG1: EGG COOKER SUPPORT SHELF

PARTS LIST		
PT#	DESCRIPTION	QTY
UF-EG1	EGG COOKER SHELF	1
UF-EGH	HARDWARE PACK	1



DETAIL A
MOUNTING TABS
(AND FRONT CORNERS)



DETAIL B
(VIEW FROM BEHIND)
REAR SHELF BRACKET

ASSEMBLY INSTRUCTIONS

1. BOLT EGG COOKER SHELF (UF-EG1) INTO 36" MODULE (UF-M36) AT DESIRED HEIGHT USING 1/4-20 X 3/4" BOLTS, LOCKNUTS, AND WASHERS PROVIDED, INSTALLED THROUGH REAR TABS AND UNDER FRONT CORNERS OF SHELF (DETAIL A)
2. DRILL (2) 1/8" HOLES INTO REAR SUPPORT (UF-RS1) THROUGH HOLES IN REAR SHELF BRACKET (DETAIL B)
3. SCREW REAR SHELF BRACKET TO REAR SUPPORT (UF-RS1) USING #8 X 3/4" SCREWS PROVIDED (DETAIL B)