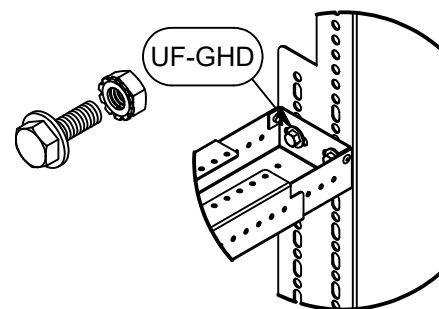
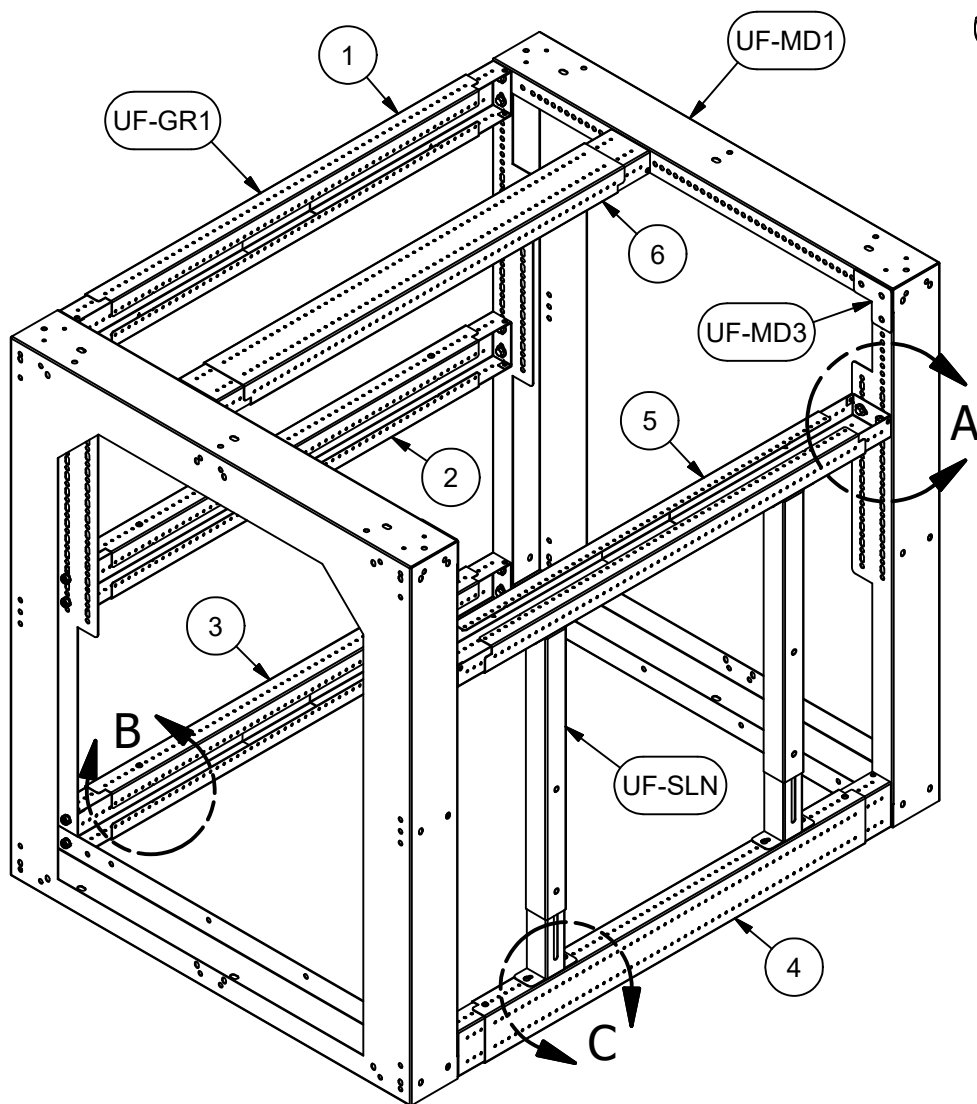
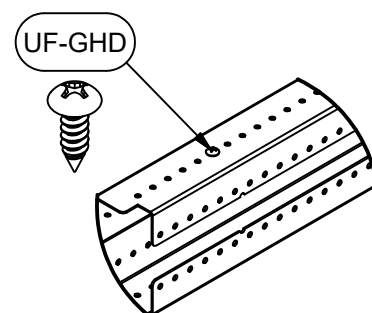


# UF-GRL: AJUSTABLE GRILL MODULE 28" - 48"

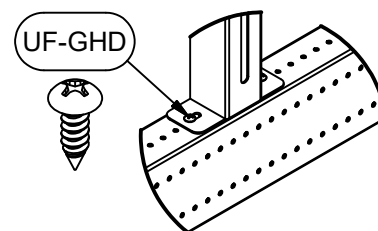
PARTS LIST		
PT#	DESCRIPTION	QTY
UF-MD1	END PANEL	2
UF-GR1	ADJUSTABLE HORIZONTAL CHANNEL	6
UF-SLN	ADJUSTABLE VERTICAL SLIDE	2
UF-MD3	UPPER CORNER SUPPORT	2
UF-GRH	HARDWARE PACK	1



DETAIL A  
HORIZONTAL CHANNELS



DETAIL B  
ADJUSTABLE CHANNELS



DETAIL C  
VERTICAL SLIDES

## ASSEMBLY INSTRUCTIONS

1. BOLT (UF-GR1) ADJUSTABLE HORIZONTAL CHANNELS 1,2,3,4 TO END PANELS (UF-MD1) USING 1/4-20 X 3/4" BOLTS, LOCKNUTS, AND WASHERS PROVIDED (DETAIL A)
2. SET DESIRED WIDTH BETWEEN END PANELS AND LOCK HORIZONTAL CHANNELS IN PLACE USING (2) #8 X 3/4" SCREWS PROVIDED (DETAIL B)
3. SET HORIZONTAL CHANNEL 5 TO DESIRED HEIGHT AND BOLT IN PLACE (DETAIL A)
4. INSTALL NARROW ADJUSTABLE VERTICAL SLIDES (UF-SLN) USING #8 X 3/4" SCREWS PROVIDED AND LOCK HEIGHT BY TIGHTENING 1/4-20 LOCKNUT INSIDE SLIDE (DETAIL C)

TO CREATE MAXIMUM OPENING WIDTH, CUT OFF (1) MOUNTING FOOT TAB AND SECURE SLIDE USING REMAINING TAB AND CENTER SLOT INSIDE SLIDE

5. SET HORIZONTAL CHANNEL 6 TO DESIRED DEPTH AND BOLT IN PLACE
6. INSTALL CORNER SUPPORTS (UF-MD3) ON EACH END PANEL USING 1/4-20 LOCKNUTS PROVIDED