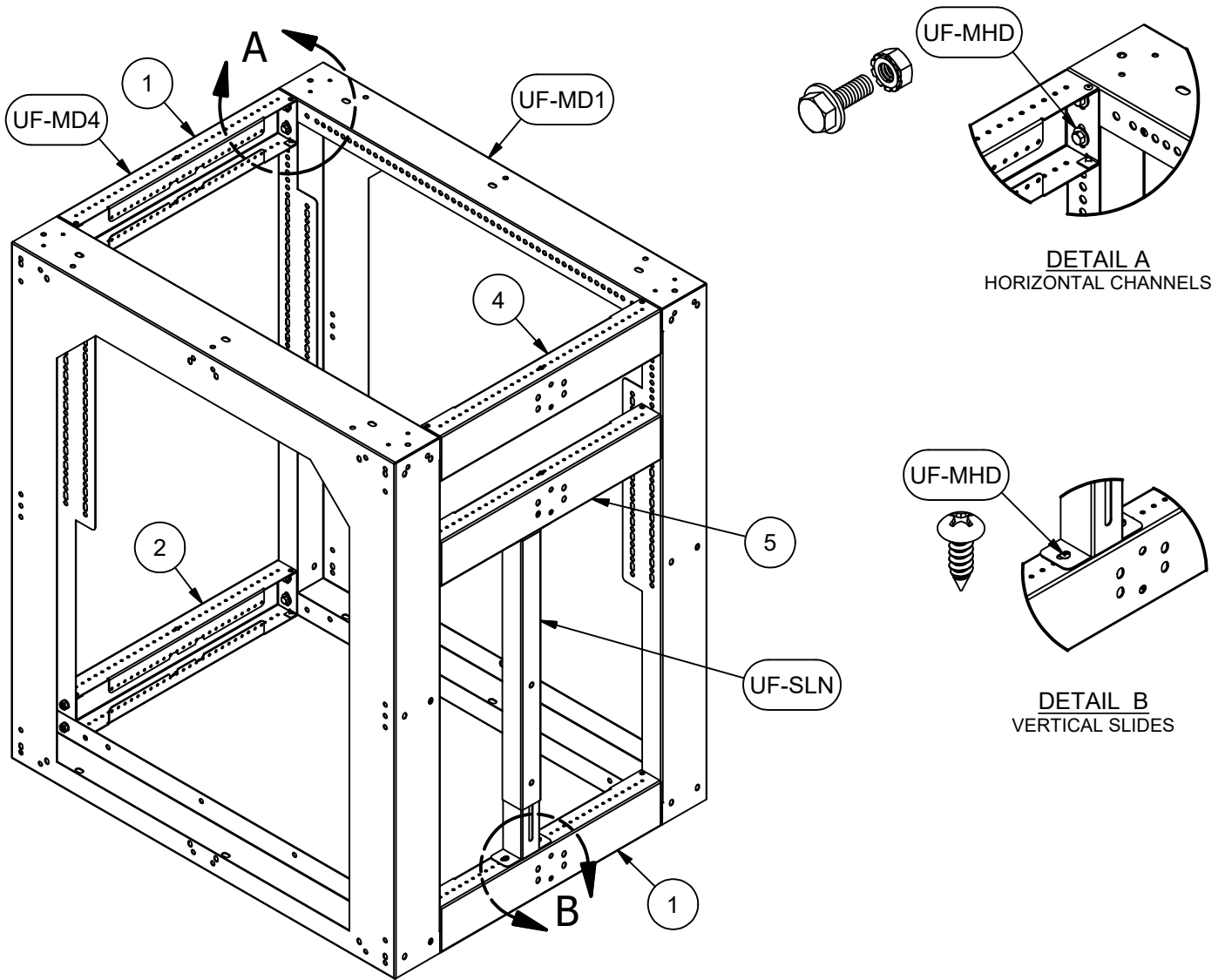


# UF-M24: 24" MODULE

PARTS LIST		
PT#	DESCRIPTION	QTY
UF-MD1	END PANEL	2
UF-MD4	17" HORIZONTAL CHANNEL	5
UF-SLN	ADJUSTABLE VERTICAL SLIDE	1
UF-24H	HARDWARE PACK	1



## ASSEMBLY INSTRUCTIONS

1. BOLT (UF-MD4) HORIZONTAL CHANNELS 1,2,3,4 TO END PANELS (UF-MD1) USING 1/4-20 X 3/4" BOLTS, LOCKNUTS, AND WASHERS PROVIDED (DETAIL A)
2. SET HORIZONTAL CHANNEL 5 TO DESIRED HEIGHT AND BOLT IN PLACE
3. INSTALL NARROW ADJUSTABLE VERTICAL SLIDES (UF-SLN) USING #8 X 3/4" SCREWS PROVIDED AND LOCK HEIGHT BY TIGHTENING 1/4-20 LOCKNUT INSIDE SLIDE (DETAIL B)

TO CREATE MAXIMUM OPENING WIDTH, CUT OFF (1) MOUNTING FOOT TAB AND SECURE SLIDE USING REMAINING TAB AND CENTER SLOT INSIDE SLIDE