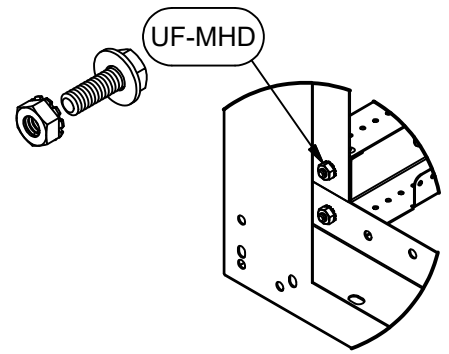
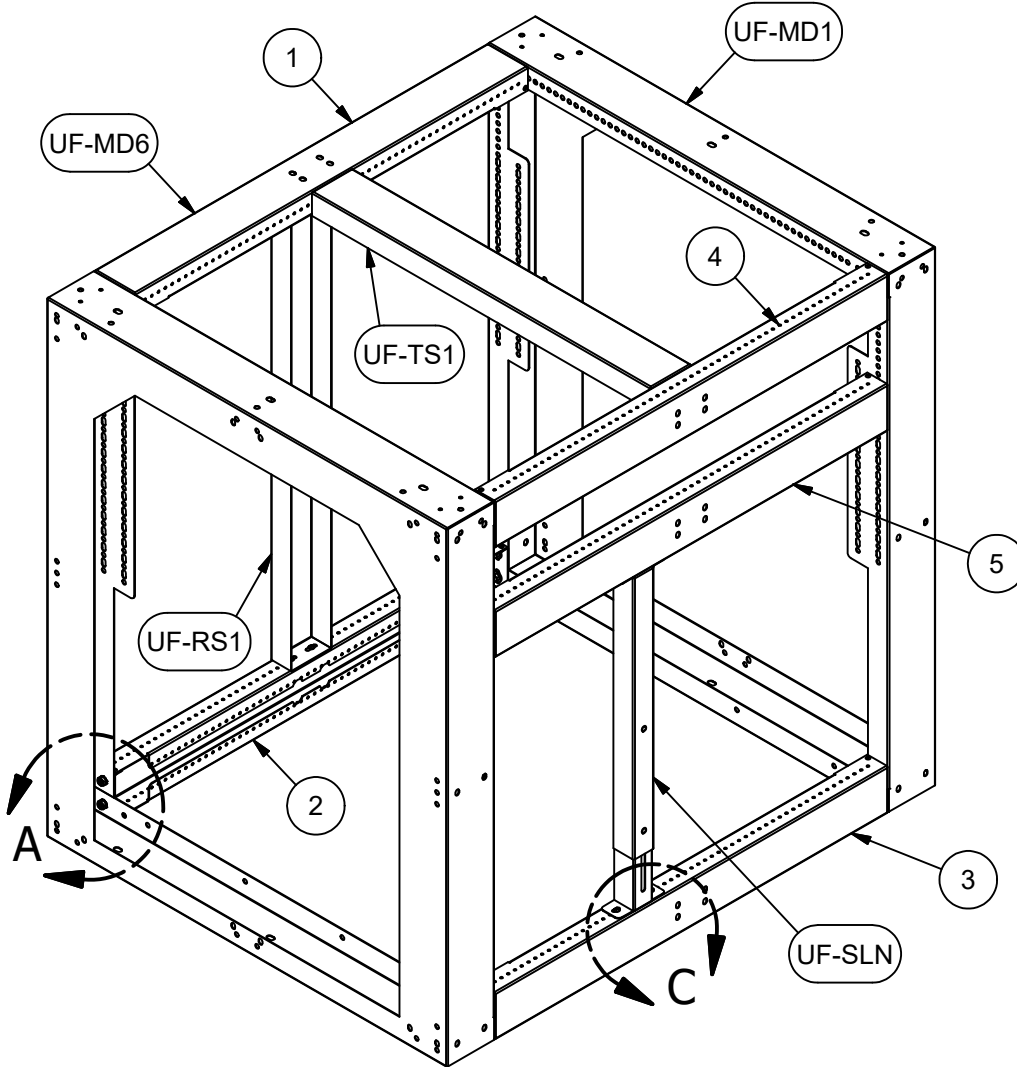
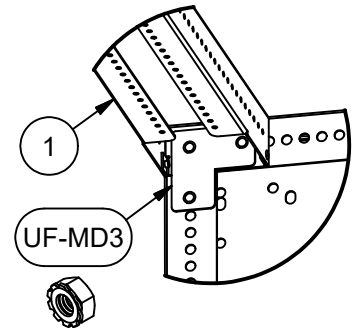


# UF-M36: 36" MODULE

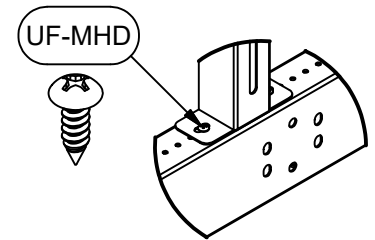
PARTS LIST		
PT#	DESCRIPTION	QTY
UF-MD1	END PANEL	2
UF-MD6	29" HORIZONTAL CHANNEL	5
UF-SLN	ADJUSTABLE VERTICAL SLIDE	1
UF-TS1	25" TOP SUPPORT	1
UF-RS1	29-7/8" REAR SUPPORT	1
UF-MD3	UPPER CORNER SUPPORT	2
UF-36H	HARDWARE PACK	1



DETAIL A  
HORIZONTAL CHANNELS



DETAIL B  
CORNER SUPPORTS



DETAIL C  
VERTICAL SLIDES

## ASSEMBLY INSTRUCTIONS

1. BOLT (UF-MD6) HORIZONTAL CHANNELS 1,2,3,4 TO END PANELS (UF-MD1) USING 1/4-20 X 3/4" BOLTS, LOCKNUTS, AND WASHERS PROVIDED (DETAILS A & B)
2. REAR TOP CHANNEL (1) TO BE MOUNTED HORIZONTALLY AND SECURED USING UPPER CORNER SUPPORTS (UF-MD3) (DETAIL B)
3. SET HORIZONTAL CHANNEL 5 TO DESIRED HEIGHT AND BOLT IN PLACE
4. INSTALL TOP SUPPORTS (UF-TS1) AND REAR SUPPORTS (UF-RS1) USING #8 X 3/4" SCREWS PROVIDED
5. INSTALL NARROW ADJUSTABLE VERTICAL SLIDES (UF-SLN) USING #8 X 3/4" SCREWS PROVIDED AND LOCK HEIGHT BY TIGHTENING 1/4-20 LOCKNUT INSIDE SLIDE (DETAIL C)

TO CREATE MAXIMUM OPENING WIDTH, CUT OFF (1) MOUNTING FOOT TAB AND SECURE SLIDE USING REMAINING TAB AND CENTER SLOT INSIDE SLIDE

**UNIFrame USA**

A Division of New England Welding, Inc. - 145 Bodwell Street, Avon MA 02322  
508.580.2024 info@UNIFrame-USA.com www.UNIFrame-USA.com

