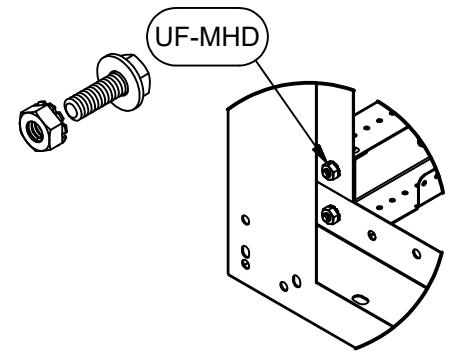
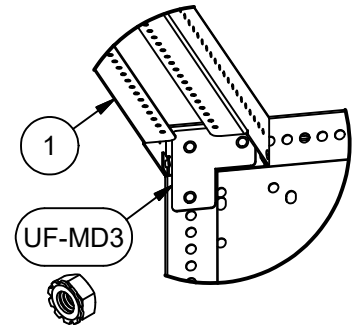


UF-M72: 72" MODULE

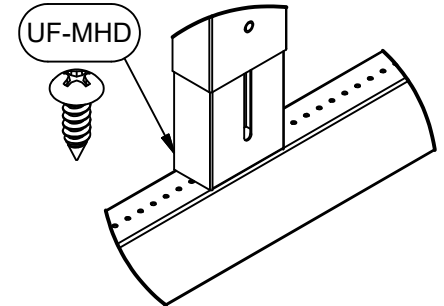
PARTS LIST		
PT#	DESCRIPTION	QTY
UF-MD1	END PANEL	2
UF-MD8	65" HORIZONTAL CHANNEL	5
UF-SLW	WIDE ADJUSTABLE VERTICAL SLIDE	2
UF-TS1	25" TOP SUPPORT	2
UF-RS1	29-7/8" REAR SUPPORT	2
UF-MD3	UPPER CORNER SUPPORT	2
UF-72H	HARDWARE PACK	1



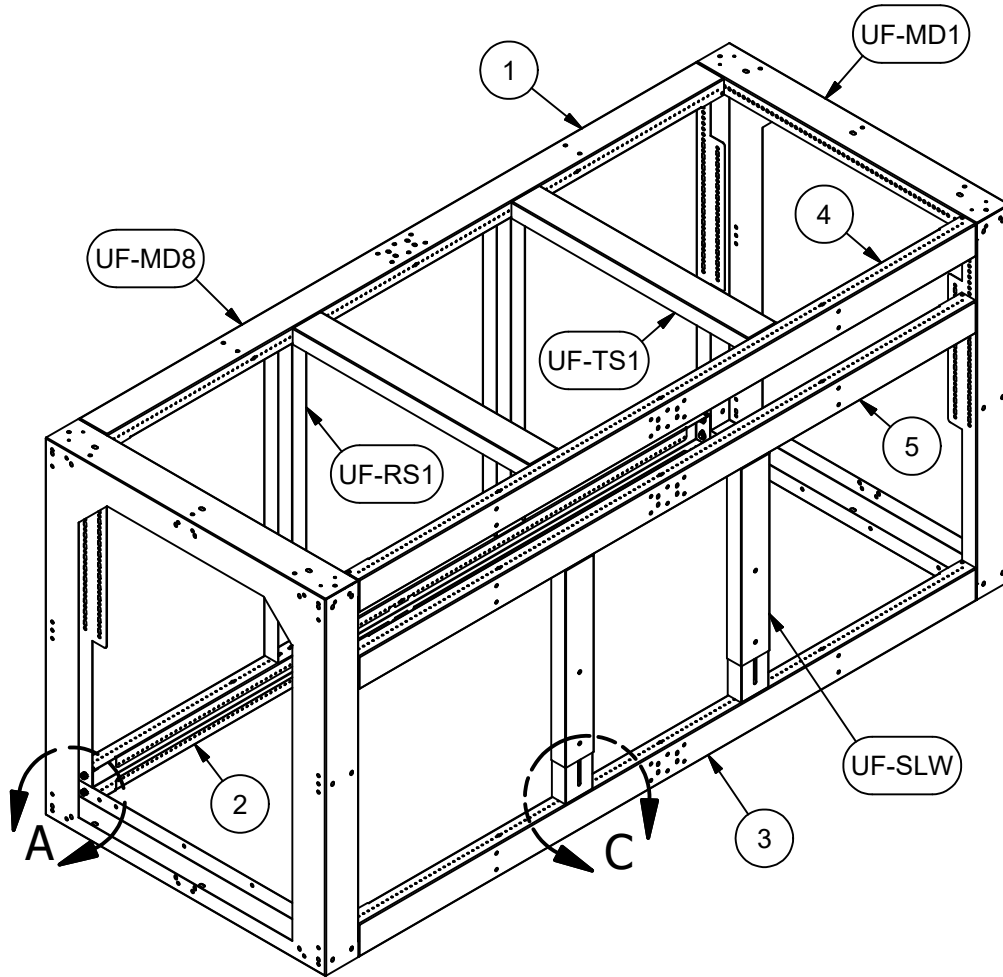
DETAIL A
HORIZONTAL CHANNELS



DETAIL B
CORNER SUPPORTS



DETAIL C
VERTICAL SLIDES



ASSEMBLY INSTRUCTIONS

1. BOLT (UF-MD8) HORIZONTAL CHANNELS 1,2,3,4 TO END PANELS (UF-MD1) USING 1/4-20 X 3/4" BOLTS, LOCKNUTS, AND WASHERS PROVIDED (DETAILS A & B)
2. REAR TOP CHANNEL (1) TO BE MOUNTED HORIZONTALLY AND SECURED USING UPPER CORNER SUPPORTS (UF-MD3) (DETAIL B)
3. SET HORIZONTAL CHANNEL 5 TO DESIRED HEIGHT AND BOLT IN PLACE
4. INSTALL TOP SUPPORTS (UF-TS1) AND REAR SUPPORTS (UF-RS1) USING #8 X 3/4" SCREWS PROVIDED
5. INSTALL WIDE ADJUSTABLE VERTICAL SLIDES (UF-SLW) USING #8 X 3/4" SCREWS PROVIDED AND LOCK HEIGHT BY TIGHTENING 1/4-20 LOCKNUT INSIDE SLIDE (DETAIL C)