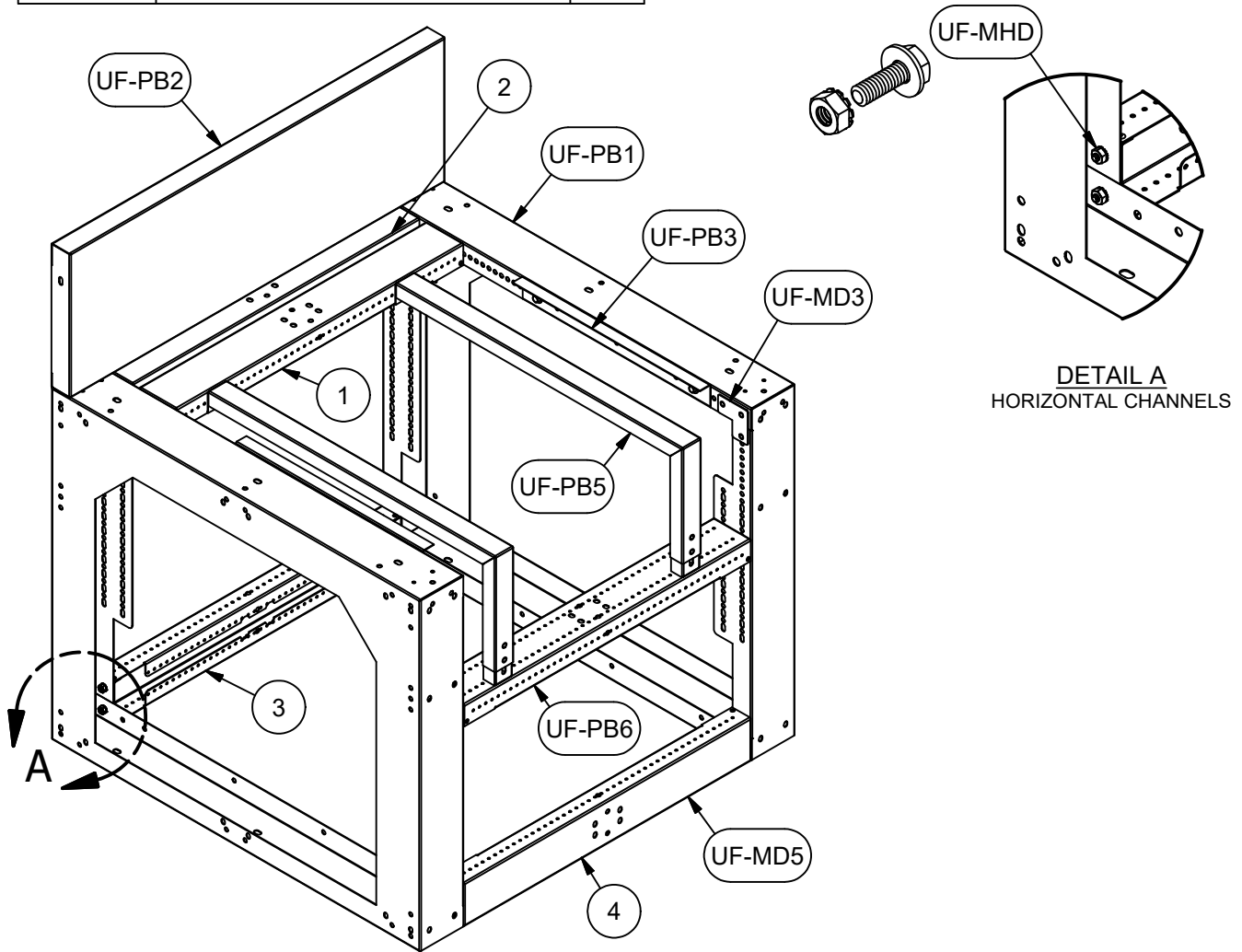


UF-PWB: POWER BURNER MODULE, 30"

PARTS LIST		
PT#	DESCRIPTION	QTY
UF-PB1	SHORT HEIGHT END PANEL	2
UF-PB2	10" TALL BACK SPLASH	1
UF-PB3	Z-SPACER	2
UF-MD5	23" HORIZONTAL CHANNEL	4
UF-PB5	ADJUSTABLE L-SUPPORT	2
UF-PB6	23" HORIZONTAL CHANNEL, FACE HOLES	1
UF-MD3	CORNER SUPPORT	2
UF-PBH	HARDWARE PACK	1



ASSEMBLY INSTRUCTIONS

1. BOLT (UF-PB4) HORIZONTAL CHANNELS 1,2,3,4 TO END PANELS (UF-PB1) USING 1/4-20 X 3/4" BOLTS, LOCKNUTS, AND WASHERS PROVIDED (DETAIL A). REAR TOP CHANNEL TO BE HORIZONTALLY MOUNTED AS SHOWN.
2. SET HORIZONTAL CHANNEL (UF-PB6) TO DESIRED HEIGHT AND BOLT IN PLACE
3. INSTALL BACK SPLASH AS SHOWN USING 1/4-20 X 3/4" BOLTS, LOCKNUTS, AND WASHERS
4. DEPENDING UPON THE SIZE OF YOUR POWER BURNER, USE ANY COMBINATION OF ADJUSTABLE L-SUPPORTS AND/OR Z-SPACERS TO SUPPORT AND POSITION THE BURNER AS DESIRED*

*INSTALL L-SUPPORTS USING #8 X 3/4" SCREWS PROVIDED AND LOCK HEIGHT BY TIGHTENING 1/4-20 LOCKNUT INSIDE SUPPORT
 *INSTALL Z-SPACERS USING 1/4-20 X 3/4" BOLTS, LOCKNUTS, AND WASHER PROVIDED

