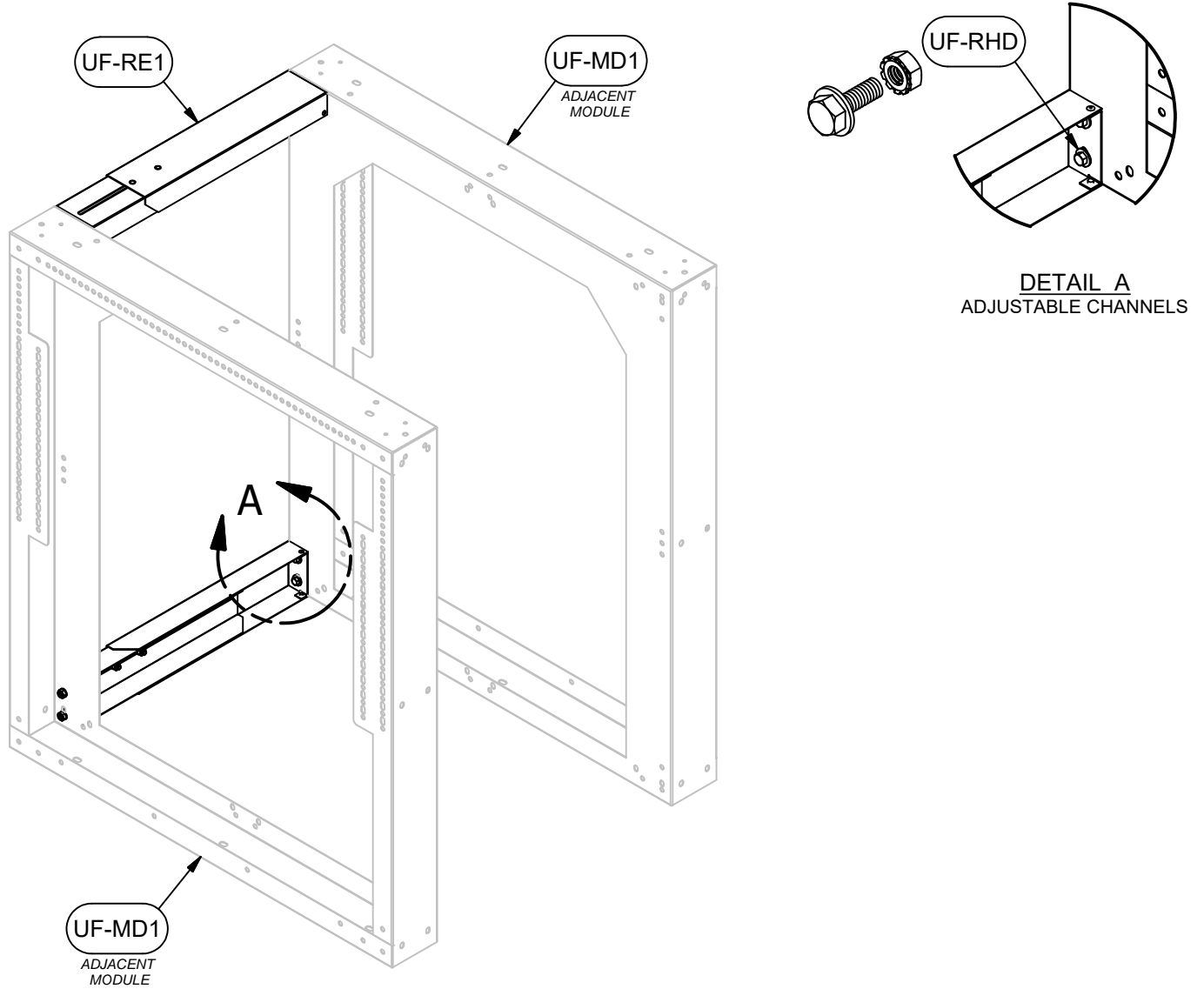


UF-REF: REFRIGERATOR / ICE MAKER KIT

PARTS LIST		
PT#	DESCRIPTION	QTY
UF-REF	14"-25" ADJUSTABLE CHANNEL	2
UF-REH	HARDWARE PACK	1



ASSEMBLY INSTRUCTIONS

1. SET ADJUSTABLE CHANNELS (UF-RE1) TO DESIRED WIDTH AND TIGHTEN 1/4-20 LOCKNUTS INSIDE CHANNEL
2. BOLT ADJACENT MODULES TOGETHER USING ADJUSTABLE CHANNELS (UF-RE1) AND 1/4-20 X 3/4" BOLTS AND WASHERS PROVIDED (DETAIL A)